


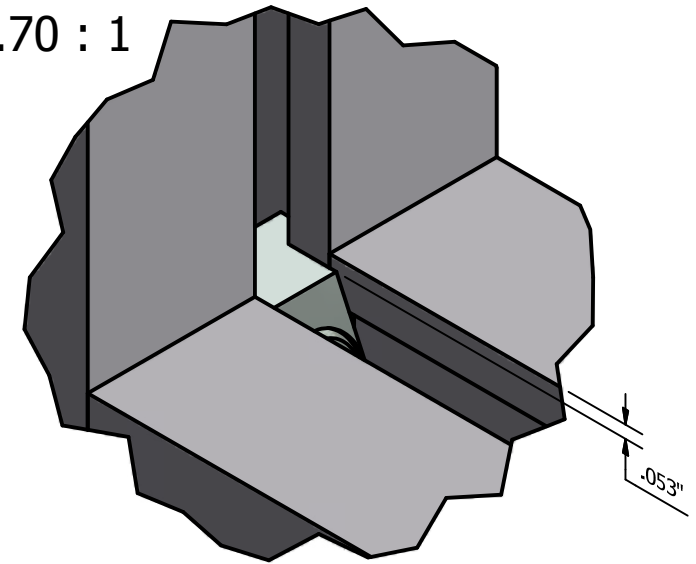
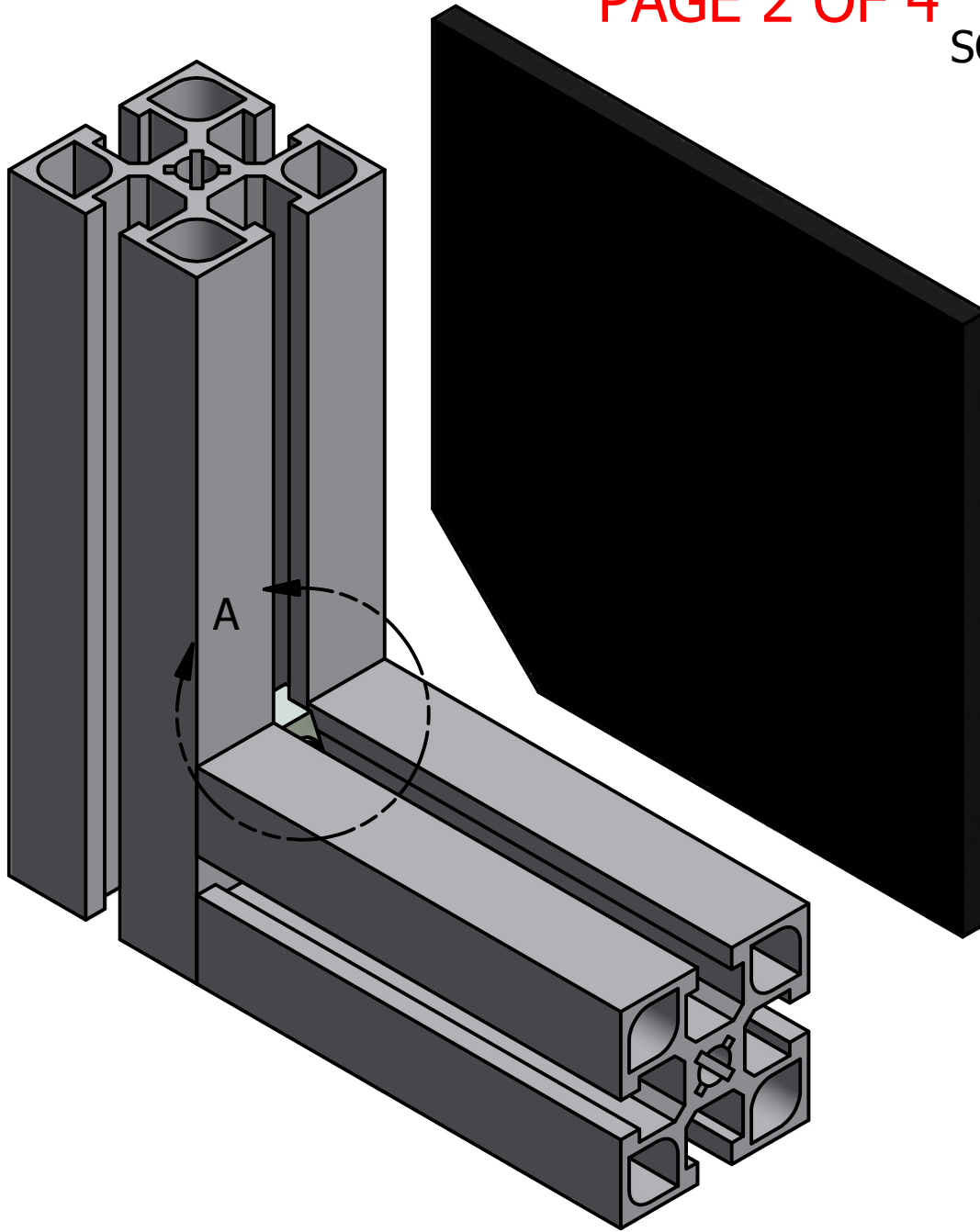
WHEN POSSIBLE FACE POWER-LOCK AWAY FROM PANEL TO AVOID NOTCHING

APPROVAL INITIALS:

PRE-MILL INSPECTION  
 PROFILE \_\_\_ MITER ANGLE \_\_\_  
 LENGTH \_\_\_ MITER DIR. \_\_\_

PROJECT AM10172014-3			WWW.MINITECFRAMING.COM	
DRAWN BY ANDY MOLES			VICTOR, NY	
DATE 10/17/2014			PH # 585 924-4690 DIRECT 585 398-1240 EXT 104 FX # 585 924-4821 amoles@minitecframing.com	
DRAWN FOR MINITEC'S CUSTOMER		TITLE PANEL NOTCH FOR POWER-LOCK 21.0818		DWG NO <b>PANEL NOTCH</b>
TOLERANCES UNLESS OTHERWISE NOTED X +/- .125" .XX +/- .015" .XXX +/- .010"		MATERIAL		REV
FINISH				SHEET 1 OF 4

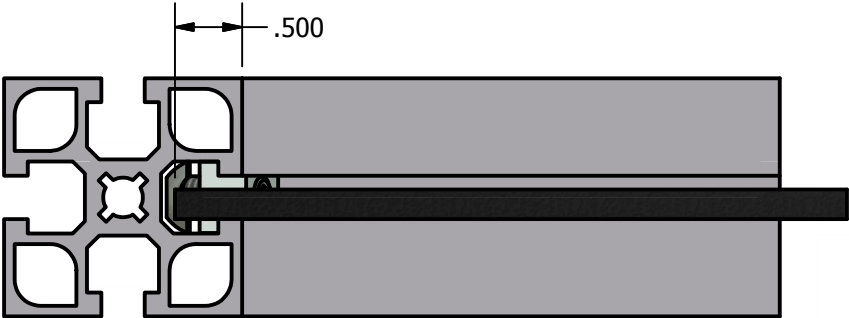
PAGE 2 OF 4    DETAIL A  
SCALE 1.70 : 1



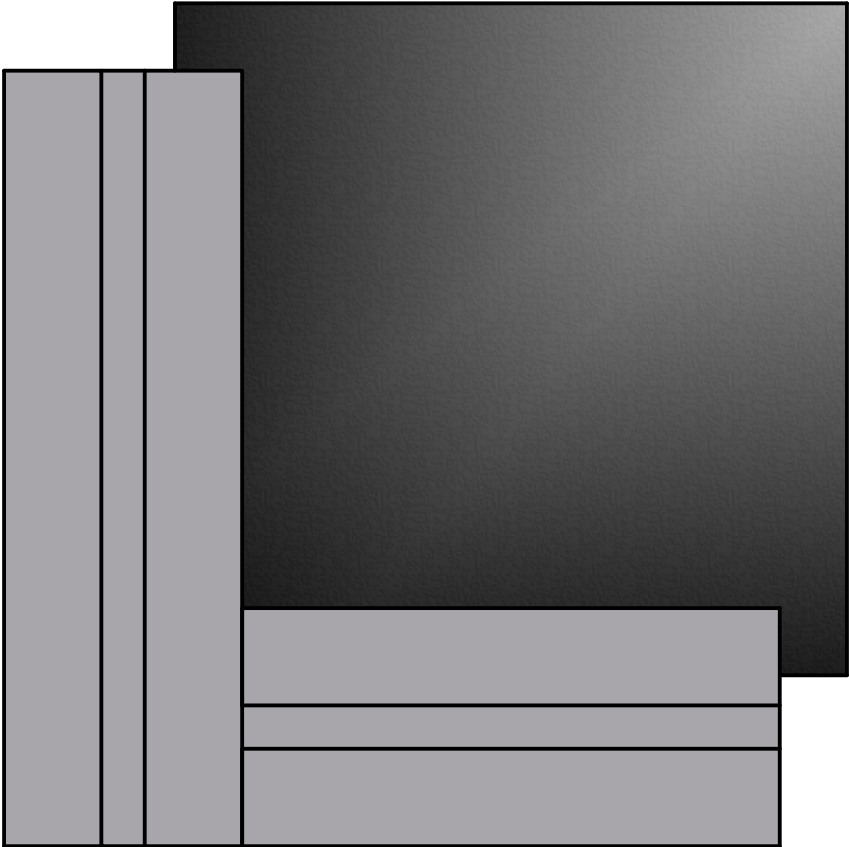
POWER-LOCK STAYS INSIDE  
T-SLOT ALLOWING A NOTCH  
THAT CLEARS IT TO  
BE INVISIBLE

DRAWING APPROVED FOR PRODUCTION BY: \_\_\_\_\_ DATE \_\_\_\_\_ APPROVED  REVISE & RESUBMIT   
 \_\_\_\_\_ APPROVED WITH CHANGES  REJECTED

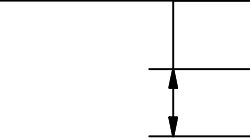
PROJECT AM10172014-3			WWW.MINITECFRAMING.COM	
DRAWN BY ANDY MOLES			VICTOR, NY	
DATE 10/17/2014			PH # 585 924-4690 DIRECT 585 398-1240 EXT 104 FX # 585 924-4821 amoles@minitecframing.com	
DRAWN FOR MINITEC'S CUSTOMER	TITLE PANEL NOTCH FOR POWER-LOCK 21.0818	DWG NO <b>PANEL NOTCH</b>	REV	
TOLERANCES UNLESS OTHERWISE NOTED .X +/- .125" .XX +/- .015" .XXX +/- .010"		MATERIAL	FINISH	
				SHEET 2 OF 4



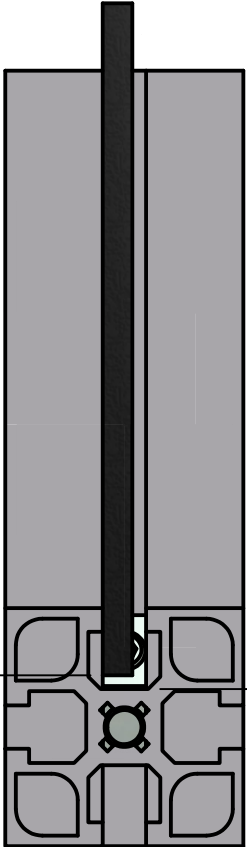
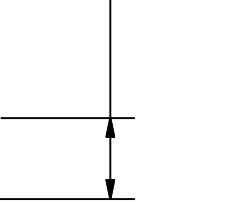
NOTCH DIMENSIONS ON NEXT PAGE ASSUME THE PANELS ENTER THE 45 SERIES PROFILES BY 1/2" AS SHOWN



1/2 in DEPTH PANEL ENTERS SLOT



.602" SLOT DEPTH



APPROVAL INITIALS:

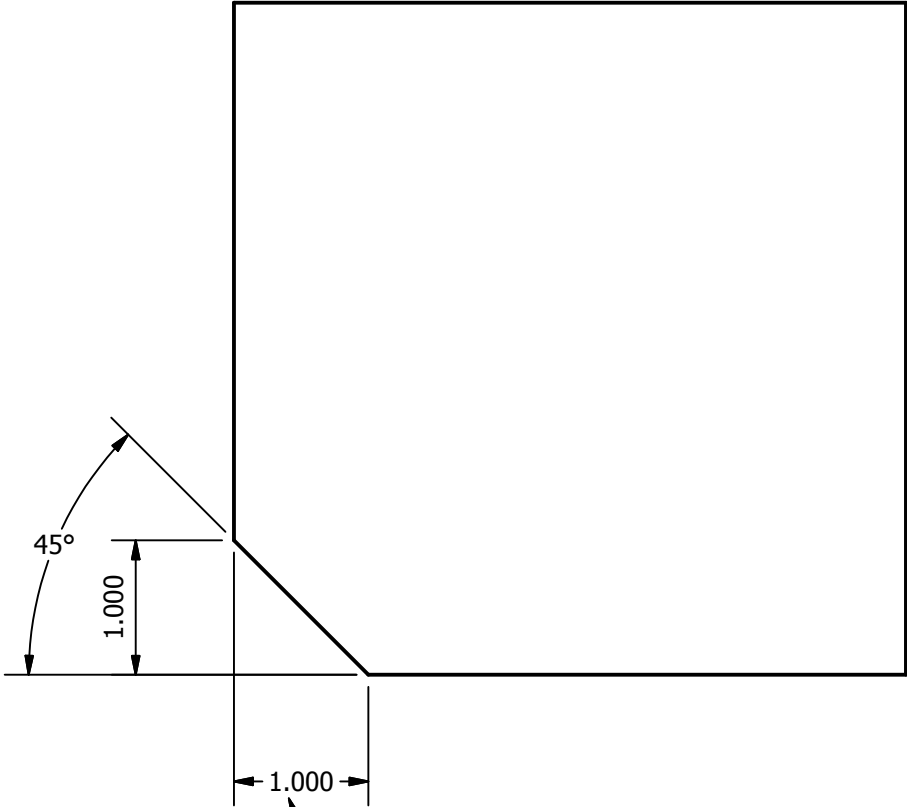
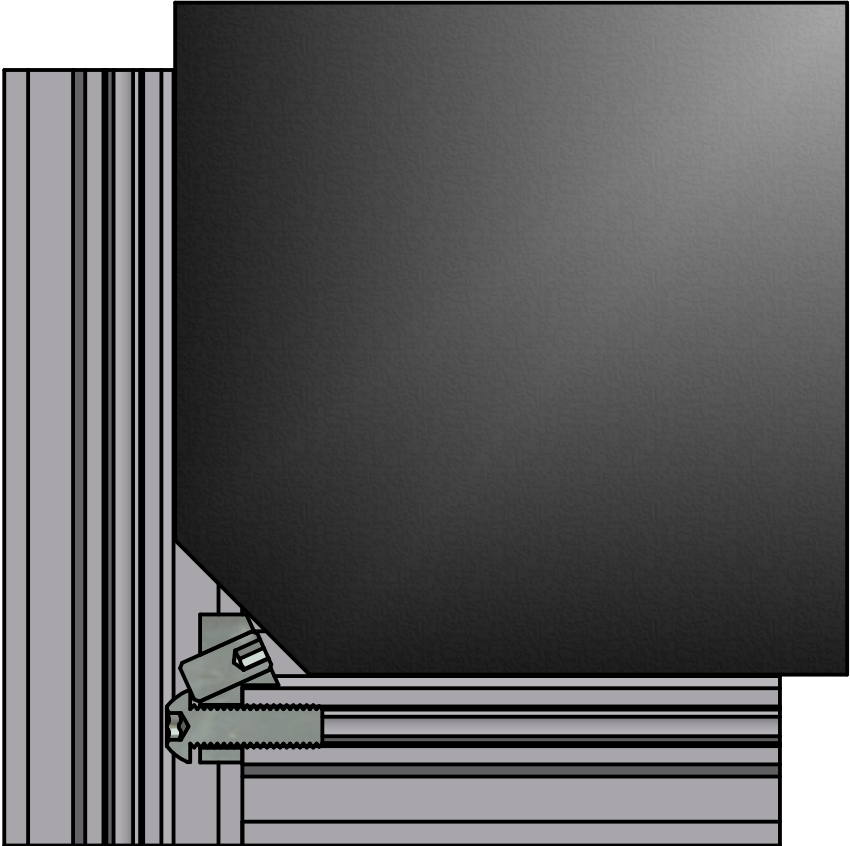
\_\_\_\_\_

PRE-MILL INSPECTION  
 PROFILE \_\_\_ MITER ANGLE \_\_\_  
 LENGTH \_\_\_ MITER DIR. \_\_\_

PROJECT AM10172014-3			WWW.MINITECFRAMING.COM VICTOR, NY PH # 585 924-4690 DIRECT 585 398-1240 EXT 104 FX # 585 924-4821 amoles@minitecframing.com	
DRAWN BY ANDY MOLES				
DATE 10/17/2014				
DRAWN FOR MINITEC'S CUSTOMER	TITLE PANEL NOTCH FOR POWER-LOCK 21.0818	DWG NO <b>PANEL NOTCH</b>	REV	
TOLERANCES UNLESS OTHERWISE NOTED X +/- .125" .XX +/- .015" .XXX +/- .010"		MATERIAL		
FINISH				SHEET 3 OF 4

# PAGE 4 OF 4

UNIVERSAL NOTCH CLEARS POWER-LOCK  
IN EITHER ORIENTATION




← 1.000 ←  
← WHEN RECESSING THE PANEL .5" INTO THE T-SLOT

APPROVAL INITIALS:

\_\_\_\_\_

PRE-MILL INSPECTION  
PROFILE \_\_\_ MITER ANGLE \_\_\_  
LENGTH \_\_\_ MITER DIR. \_\_\_

PROJECT AM10172014-3		 <small>WWW.MINITECFRAMING.COM VICTOR, NY PH # 585 924-4690 DIRECT 585 398-1240 EXT 104 FX # 585 924-4821 amoles@minitecframing.com</small>	
DRAWN BY ANDY MOLES			
DATE 10/17/2014			
DRAWN FOR MINITEC'S CUSTOMER	TITLE PANEL NOTCH FOR POWER-LOCK 21.0818	DWG NO <b>PANEL NOTCH</b>	REV
TOLERANCES UNLESS OTHERWISE NOTED X +/- .125" .XX +/- .015" .XXX +/- .010"		MATERIAL	FINISH
			SHEET 4 OF 4